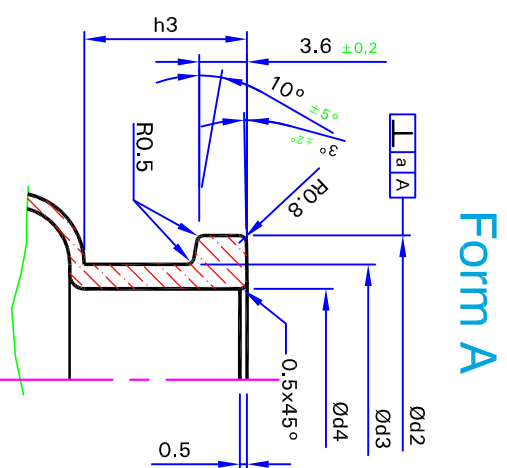


Vial ISO 8362-1:2009

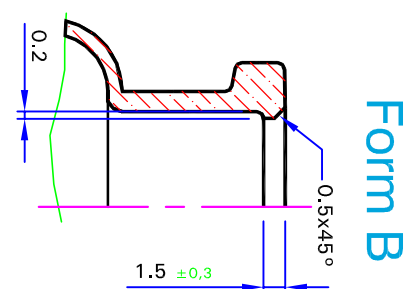
Size designation of injection vial :2R

Table 1

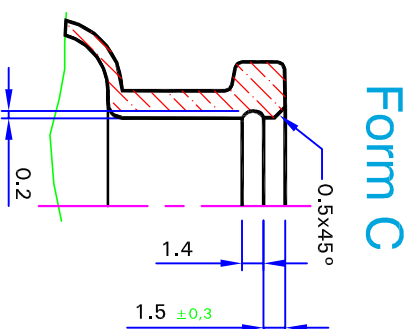
Nominal size	2R
Overflow capacity ml	4 ±0.5
a	1
d1	16 ±0.15
d2	13 ^{+0.2} _{-0.3}
d3	max. 10.5
d4	7 ±0.2
h1	35 ±0.5
h2	min. 22
h3	8 ±0.5
r1	2.5
r2	1.5
S1	1 ±0.04
S2	min. 0.6
t	max. 0.7



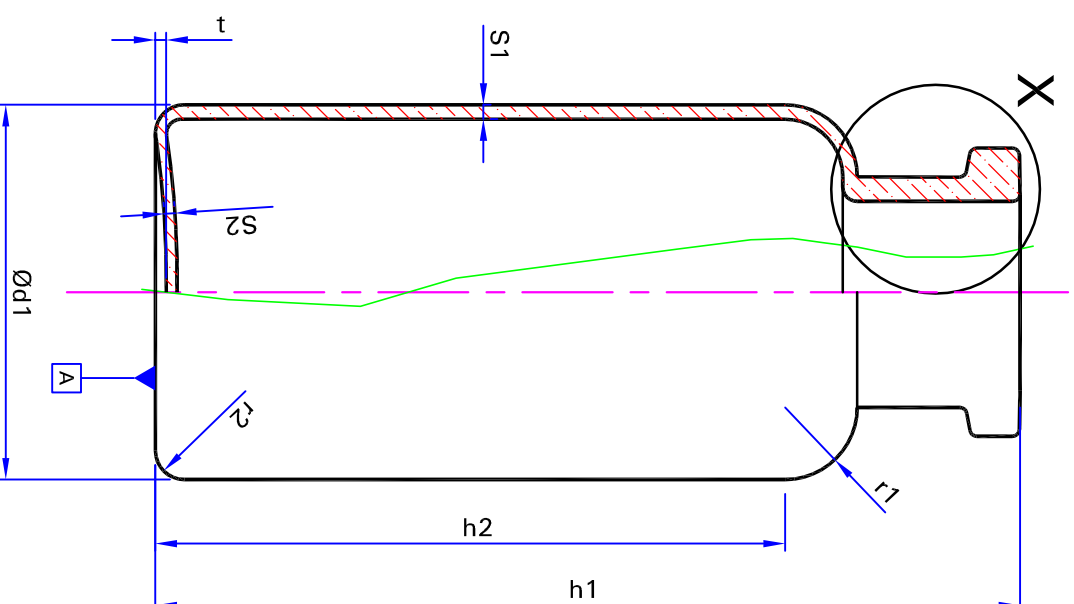
Form A



Form B



Form C



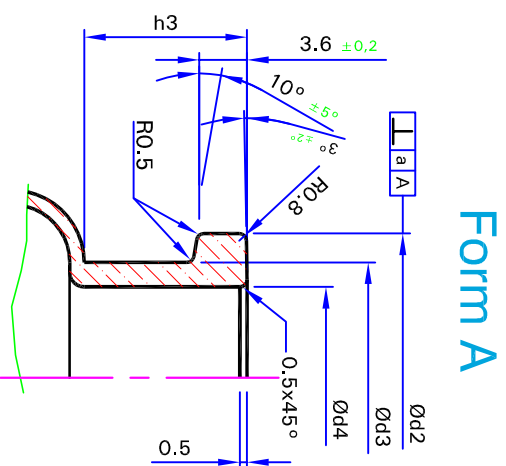
Injection vial

Vial ISO 8362-1:2009

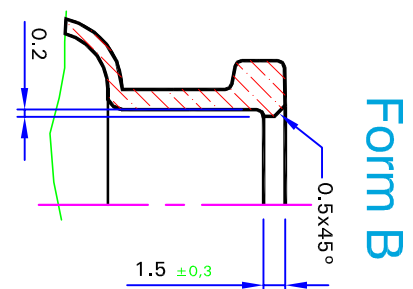
Size designation of injection vial :4R

Table 1

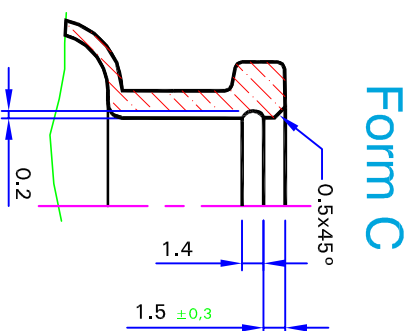
Nominal size	4R
Overflow capacity ml	6 ±0.5
a	1
d1	16 ±0.15
d2	13 ^{+0.2} _{-0.3}
d3	max. 10.5
d4	7 ±0.2
h1	45 ±0.5
h2	min. 32
h3	8 ±0.5
r1	2.5
r2	1.5
S1	1 ±0.04
S2	min. 0.6
t	max. 0.7



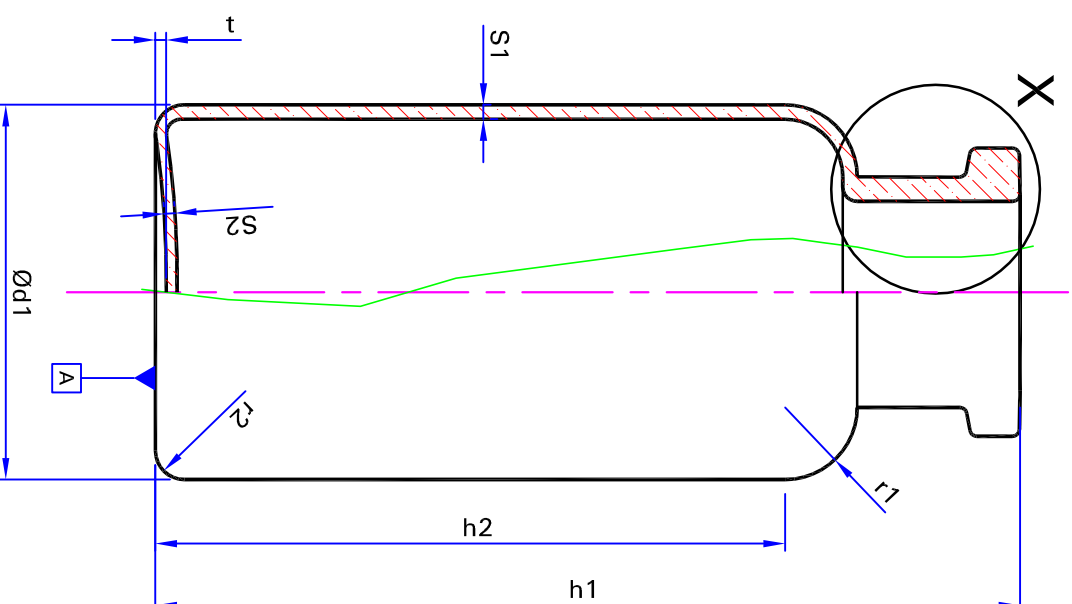
Form A



Form B



Form C



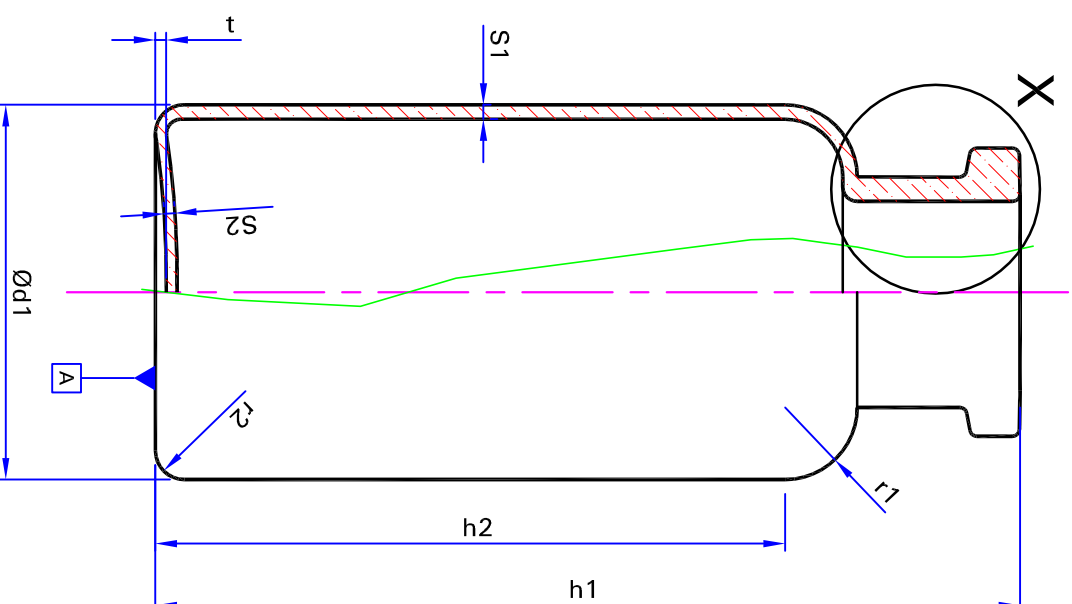
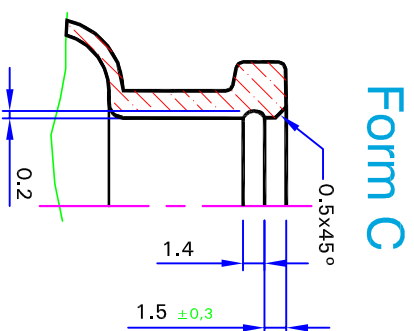
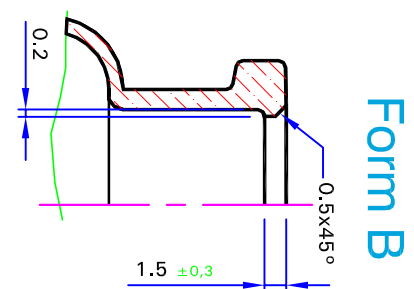
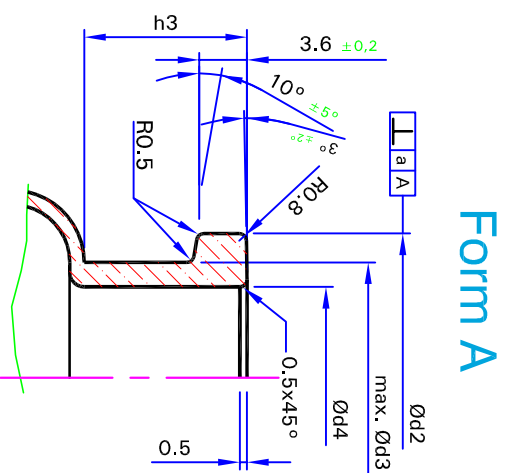
Injection vial

Vial ISO 8362-1:2009

Size designation of injection vial :6R

Table 1

Nominal size	6R
Overflow capacity ml	10 ±0.5
a	1.2
d1	22 ±0.2
d2	20 ^{+0.2} _{-0.3}
d3	16.5
d4	12.6 ±0.2
h1	40 ±0.5
h2	min. 26
h3	8.5 ±0.5
r1	3.5
r2	2
S1	1 ±0.04
S2	min. 0.7
t	max. 0.7



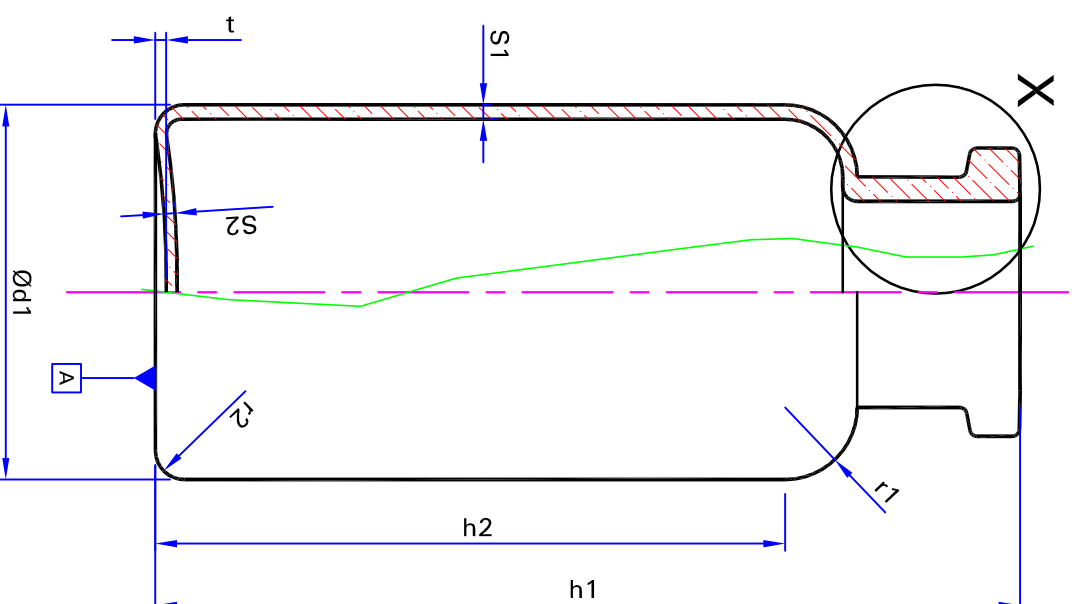
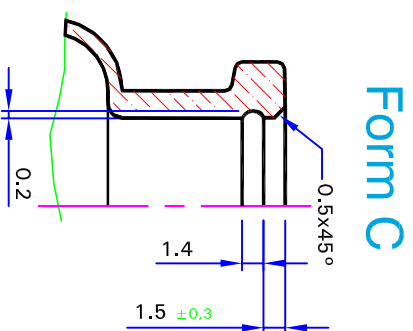
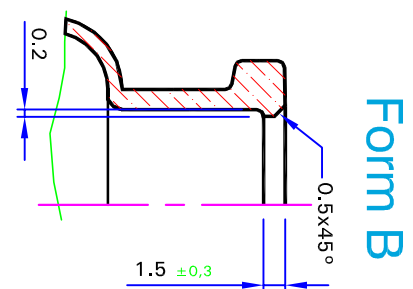
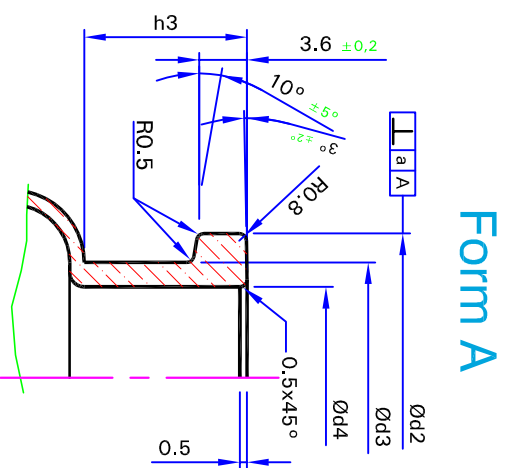
Injection vial

Vial ISO 8362-1:2009

Size designation of injection vial :8R

Table 1

Nominal size	8R
Overflow capacity ml	11.5 ±0.5
a	1.2
d1	22 ±0.2
d2	20 ^{+0.2} _{-0.3}
d3	max. 16.5
d4	12.6 ±0.2
h1	45 ±0.5
h2	min. 31
h3	8.5 ±0.5
r1	3.5
r2	2
S1	1 ±0.04
S2	min. 0.7
t	max. 0.7



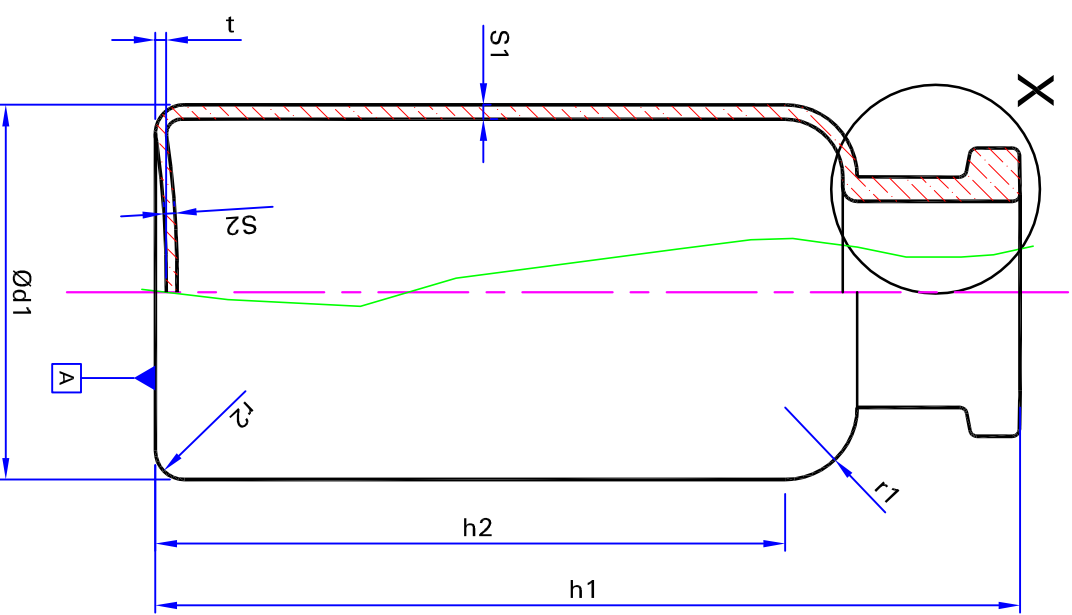
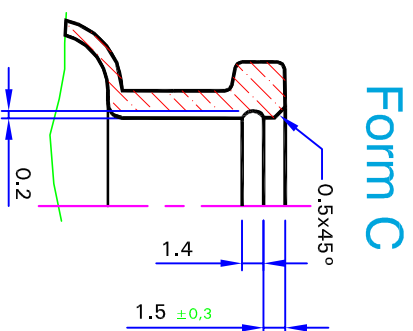
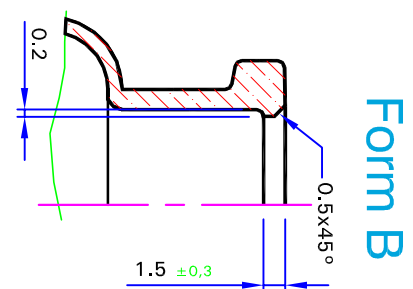
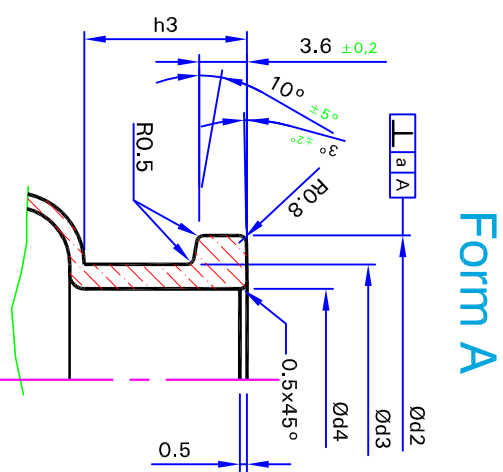
Injection vial

Vial ISO 8362-1:2009

Size designation of injection vial :10R

Table 1

Nominal size	10R
Overflow capacity ml	13.5 ± 1
a	1.2
d1	24 ± 0.2
d2	20 ^{+0.2} _{-0.3}
d3	max. 16.5
d4	12.6 ± 0.2
h1	45 ± 0.5
h2	min. 30
h3	9 ± 0.5
r1	4.0
r2	2
S1	1 ± 0.04
S2	min. 0.7
t	max. 0.7



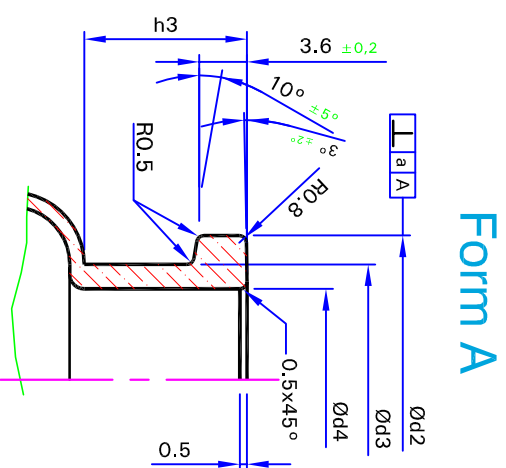
Injection vial

Vial ISO 8362-1:2009

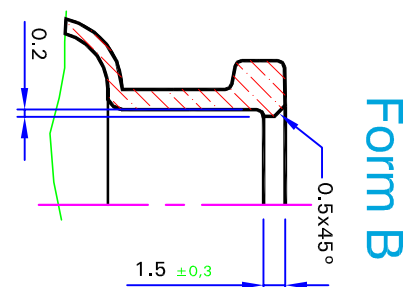
Size designation of injection vial :15R

Table 1

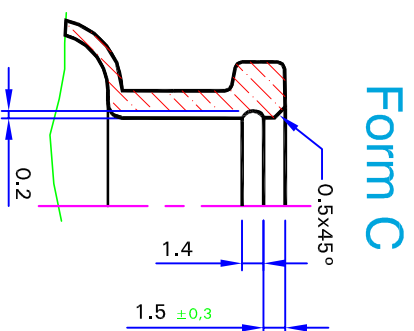
Nominal size	15R
Overflow capacity ml	19 ± 1
a	1.2
d1	24 ± 0.2
d2	20 ^{+0.2} _{-0.3}
d3	max. 16.5
d4	12.6 ± 0.2
h1	60 ± 0.5
h2	min. 45
h3	9 ± 0.5
r1	4.0
r2	2
S1	1 ± 0.04
S2	min. 0.7
t	max. 0.7



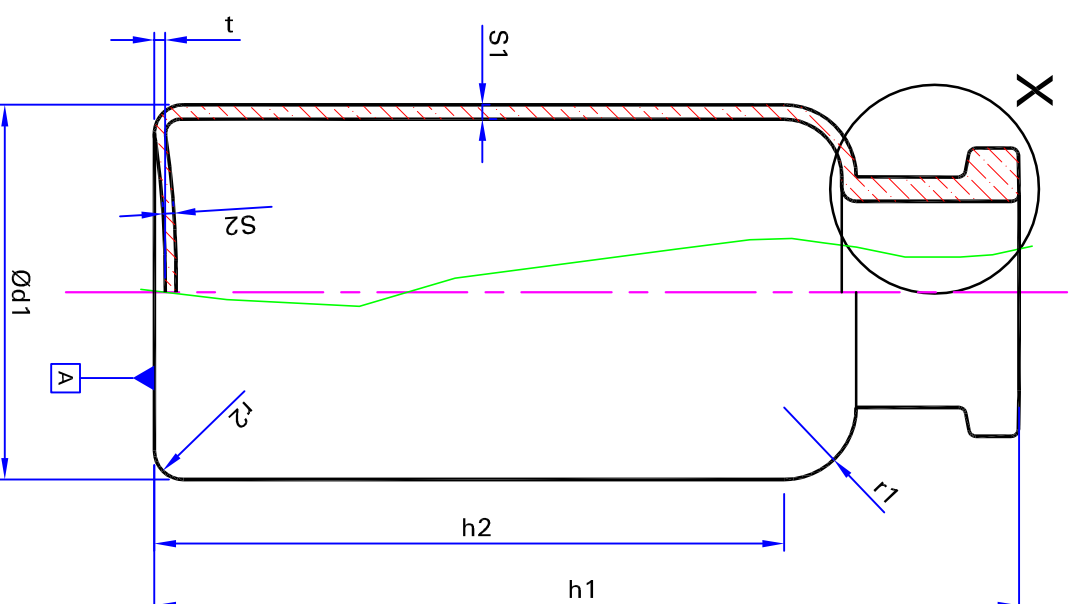
Form A



Form B



Form C



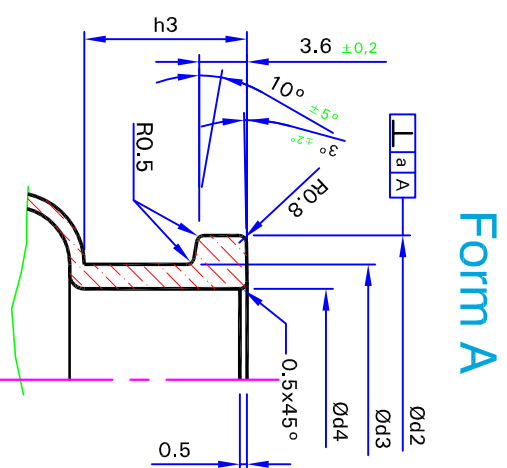
Injection vial

Vial ISO 8362-1:2009

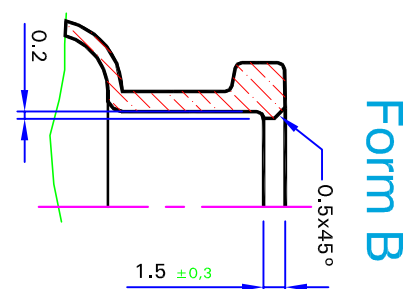
Size designation of injection vial :20R

Table 1

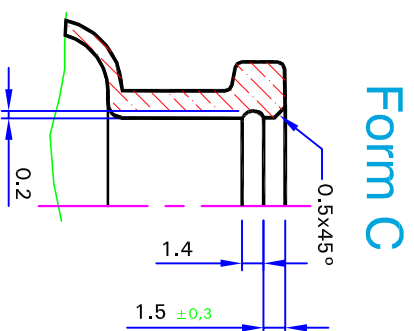
Nominal size	20R
Overflow capacity ml	26 ± 1.5
a	1.5
d1	30 ± 0.25
d2	20 ^{+0.2} _{-0.3}
d3	max. 17.5
d4	12.6 ± 0.2
h1	55 ± 0.7
h2	min. 35
h3	10 ± 0.75
r1	5.5
r2	2.5
S1	1.2 ± 0.05
S2	min. 0.7
t	max. 1



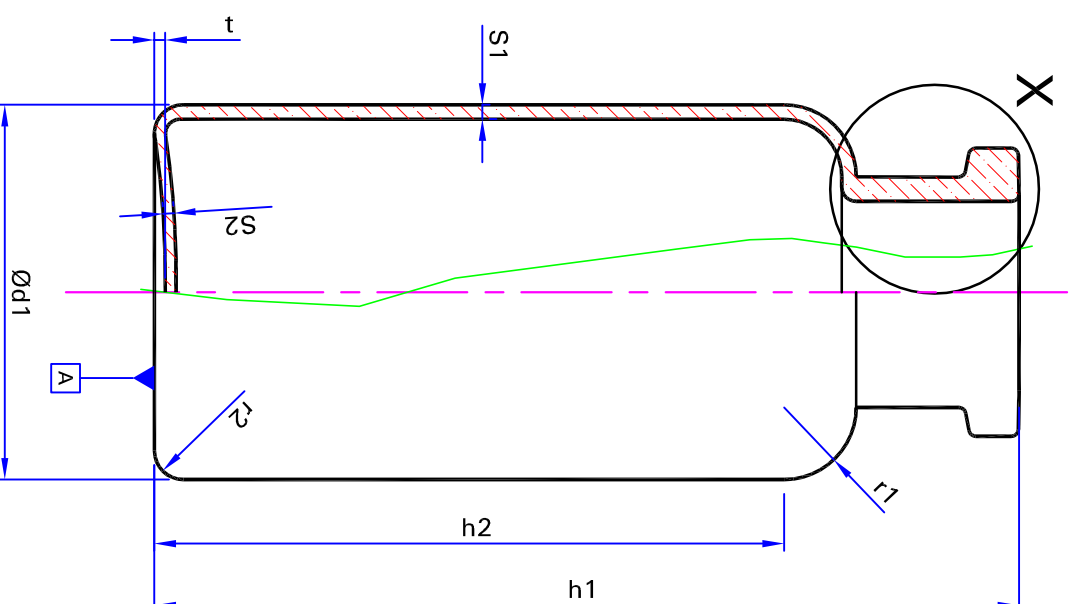
Form A



Form B



Form C



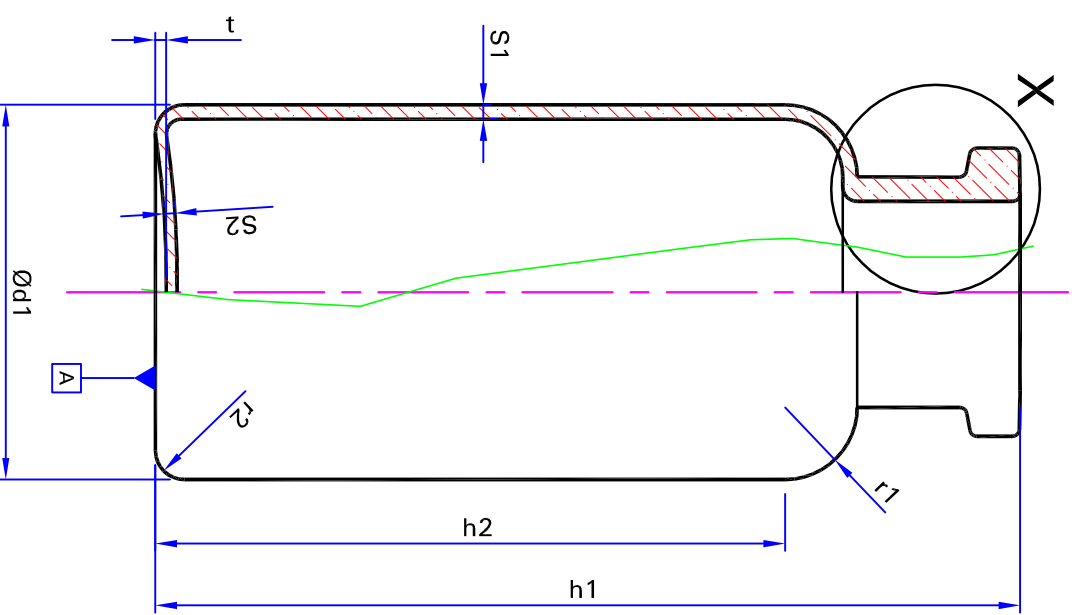
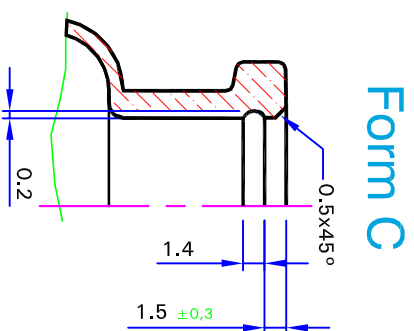
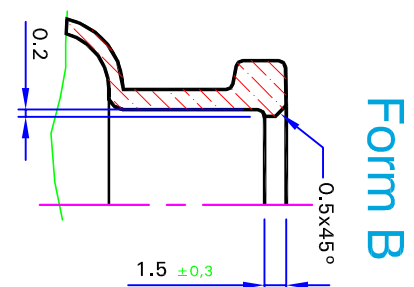
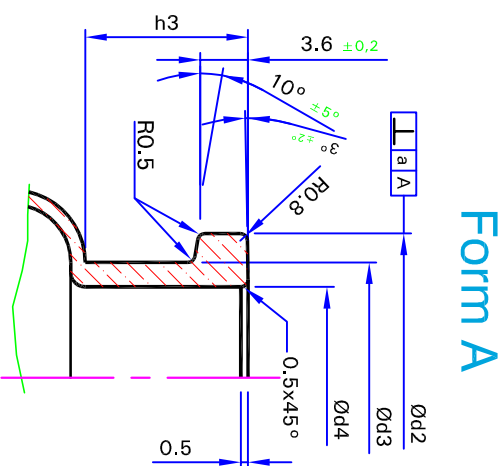
Injection vial

Vial ISO 8362-1:2009

Size designation of injection vial :25R

Table 1

Nominal size	25R
Overflow capacity ml	32.5 ± 1.5
a	1.5
d1	30 ± 0.25
d2	20 ^{+0.2} _{-0.3}
d3	max. 17.5
d4	12.6 ± 0.2
h1	65 ± 0.7
h2	min. 45
h3	10 ± 0.75
r1	5.5
r2	2.5
S1	1.2 ± 0.05
S2	min. 0.7
t	max. 1



Injection vial

